
Instruction Book

RL-J500

CONTENTS

1. Safety Guide.....	
1.1. Notice	1
2. Introduction.....	
2.1. Appearance Design	2
2.2. Working Principle	4
3. Control Panel Operating Instructions.....	
3.1. Control Panel Operating Instructions	5
4. Operating Instructions.....	
4.1. Power Access	11
4.2. Drainage Schematic	12

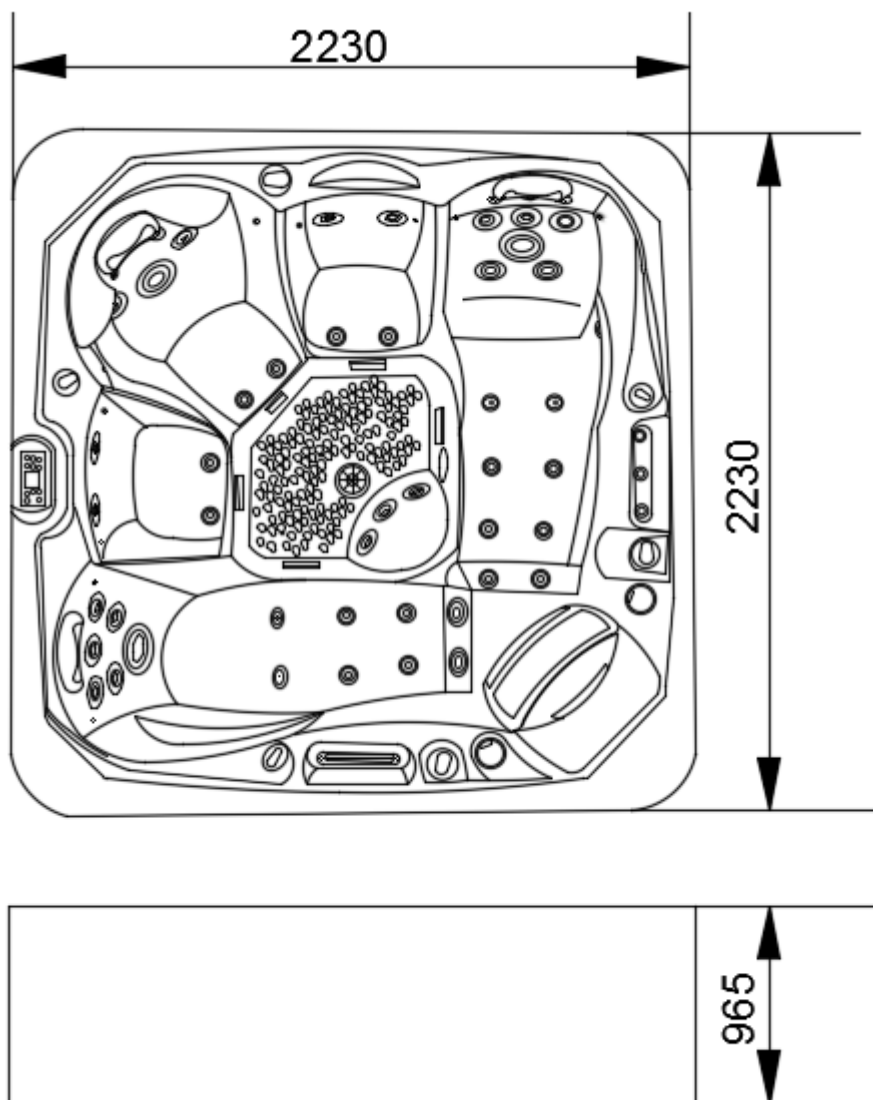
1. Safety Guide

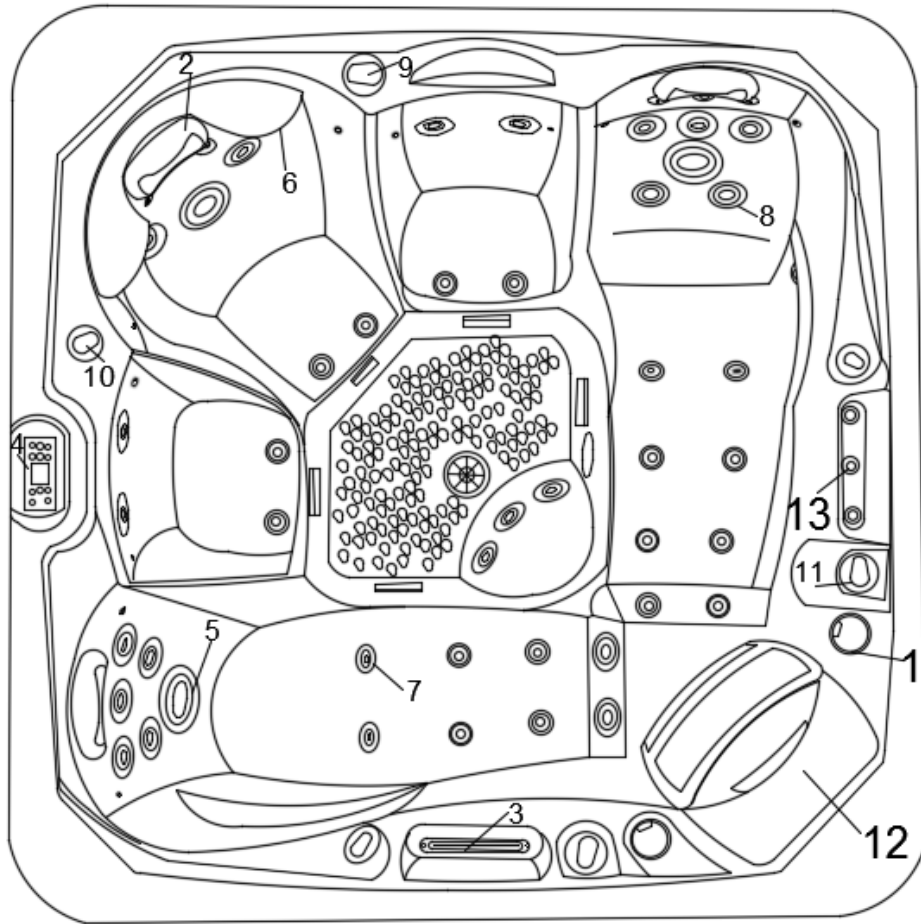
1.1. Notice

- ◆ Please read this guide before using.
- ◆ Children should use it under the guidance of adults.
- ◆ This product is provided with a thermal cover and a step. In order to avoid unnecessary injuries, please use the product correctly and make sure not to let children play on the step.
- ◆ To avoid damage, do not disassemble the skirt and the electric appliance of the product if you are not a professional.
- ◆ There should be a leakage protection before accessing power supply.

2. Introduction

2.1. Appearance Design





Sequence	Brief introduction	Number	Sequence	Brief introduction	Number
1	Speaker	2	8	2.5Jet	27
2	Pillow	3	9	2"Water diversion switch	1
3	Waterfall	1	10	1"Air diversion switch	3
4	Control panel	1	11	1"Water diversion valve	2
5	5"Jet	3	12	Filter	1
6	2"Jet	2	13	Spray column	3
7	1"Jet	24			

2.2. Working Principle

As the main parts of this product, electrical parts contain two 1.5KW hydro massage Jet pumps, one 0.75KW circulation filtration pump and one 3KW heater, which provide you with comfortable and stable water pressure and water temperature. It is allowed to adjust water pressure and water flow to meet the requirements of different customers with the switches on the edge of the bathtub. Besides, this product is also equipped with underwater LED lights , mini seven colors perimeter LED lights and Bluetooth music speaker to bring you a happy mood.

Supply voltage: AC220-AC240V 50/60HZ

Total Power: 7.25KW (32.5A)

List of major electrical appliances:

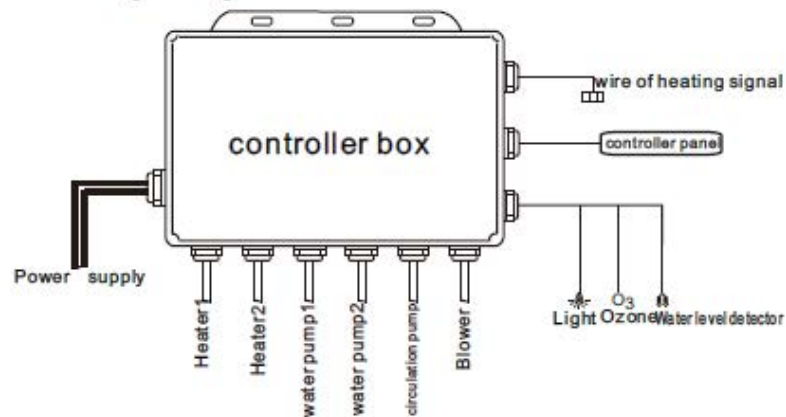
Name	Rated voltage	Rated current (A)	Rated power (KW)	Number
Hydro massage jet pump	AC220-AC240V 50/60HZ	8	1.5	2
Circulation filtration pump	AC220-AC240V 50/60HZ	3	0.75	1
Heater	AC220-AC240V 50/60HZ	13.5	3	1

3. Control Panel Operating Instructions

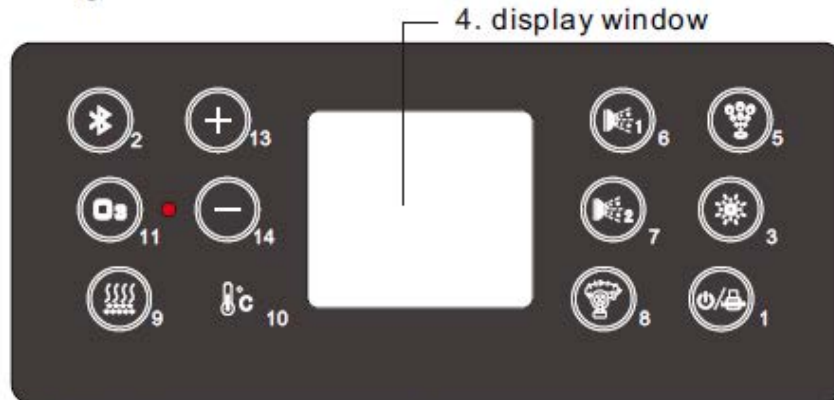
3.1. Control Panel Operating Instructions

DXD—A009/ H installation and instructions

1. Wiring diagram



2. Diagram Instruction Of The Panel



- | | |
|-------------------|---------------------|
| 1. power | 8. circulation pump |
| 2. blue tooth | 9. heater |
| 3. light | 10. temperature |
| 4. display window | 11. ozone |
| 5. blower | 13. adjust plus |
| 6. water pump 1 | 14. adjust mines |
| 7. water pump 2 | |

3. Operation

- 1). Press the power button, the display window will be blue.
- 2). Press the light button, the light will work, the icon will be lighten in the display window, press the button again, the light will be closed.
- 3). Sterilization and beautification. Press the ozone button, the ozone will work, the icon will be lighten in the display window, press the button again, the ozone will be closed.
- 4). Bubble. Press the blower button, the blower will work, the icon will be lighten in the display window, press the button again, the blower will be closed.
- 5). Surfing. Press the water pump 1 button when there is water, the water pump 1 will work, the icon will be lighten in the display window, press the button again, the water pump 1 will be closed, the operation way of the water pump 2 is the same as water pump 1. If there is water level detector function, please read NOTE 5 carefully.
- 6). Heater. Press the heater button when there is water, the circulation pump will start automatically, then the heater will work in a while, then the icon of the circulation pump and the heater will be lighten in the display window, press the heater button again, the heater will be closed, the circulation pump will be closed automatically one minute later when the heater is closed.

The status of the heater depends on the pressure switch and the temperature which is set.

Temperature setting. Press the temperature and time setting button, the icon will twinkle and the temperature that is set last time will be displayed, press the button can set the temperature that is needed, the range is from 30°C to 50°C, after setting, the icon of the temperature will display the temperature of the water.

If setting the temperature when the heater is working, during setting when the temperature is adjusted to lower than the temperature of the water, the heater will be closed automatically; when the temperature is adjusted to higher than the temperature of the water, the heater will work automatically.

When the temperature of the water exceeds the temperature that is set, the heater will also be closed automatically.

7). Circulation Pump.

Manual mode: When the heater is closed, press the circulation pump button, the user can open/close the circulation pump manually;

Automatic mode: When the heater is open, the system will open the circulation pump automatically, under this status, it will be invalid to close the circulation pump manually. The system will close the circulation pump automatically after the heater is closed for three minutes.8). If the water level of the bathtub doesn't reach the place of the water level sensor, the water pump 1, water pump 2 and the circulation pump(manual mode) can not work.

8)blue tooth

Touch the blue tooth key , the blue tooth is on . Open the Blue tooth function of the controller, then search for Blue tooth devices through devices such as mobile phone00: 1F:81:88:88:9E, or home music, which will prompt you to enter password, the universal code is:000000, if the devices such as mobile phone can't connect to Blue tooth of the controller, please restart your mobile phone and the controller.

4. Working environment.

- | | |
|------------------------------|-----------------------------|
| 1) Power: AC 220V | 5) Water pump 1, 2: AC 220V |
| 2) Circulation pump: AC 220V | 6) Blower: AC 220V |
| 3) Heater: AC 220V | 7) Light: 12V 3W MAX |
| 4) Ozone: AC 12V 600MA MAX | |

5. Notes:

- 1)User should read the instructions of this product carefully before installation, it will help the user install the product validly and reasonably.
 - 2)User should note the mark of the high pressure that is indicated on the product, not to touch the place for your safety.
 - 3)Please don't expose the controller in the environment of wet, high temperature and electromagnetic interference for a long time, and please wipe it clean with the dry towel after use.
 - 4)Please keep the water in the bathtub clean and ensure there are no solid impurities left, or it will jam the hole of the water return and the pipeline, which will damage the equipment and the accessories. Please turn off the power immediately if there is jam, and restart after cleaning away the jam.
-

-
- 5) Please don't pull the output cable of the equipment, and don't rap and drop the equipment, which will damage the shell or the inside parts.
 - 6) Please don't open the controller box if there is no professional maintenance man with you.
 - 7) The voltage should match the working voltage of this product in order not to damage the controller.
 - 8) When pressing the same button continuously, please repress it several minutes later after the last press to prolong the life of the controller.
 - 9) Please don't insert or pull the controller panel when the power is on, or it will damage the equipment or abnormal situations will occur, under this situation, please turn off the power for several minutes, and then start again.
 - 10) Please rightly insert the accessories (such as the light, speaker, radio tube, ozone, water pump, blower, steam generator) to the related terminals, or it will damage the equipment or cause danger.
 - 11) If this product has the water level function, only when the water level reaches the place of the water level sensor, the water pump 1, 2 and the circulation pump can be open, and it will close automatically when the water level is lower than the place of the water level sensor.

6. Solution of the normal breakdown.

1. Question: Why the water pump, blower or the heater can't open?

Answer: Please check if the product has the water level function, if yes, please check if the water level sensor is good contact with the water; if no, please stop using and contact with our worker.

2. Question: Why the heater can't open?

Answer: Please check the temperature of the controller panel if it has exceeded the temperature of the water or the room.

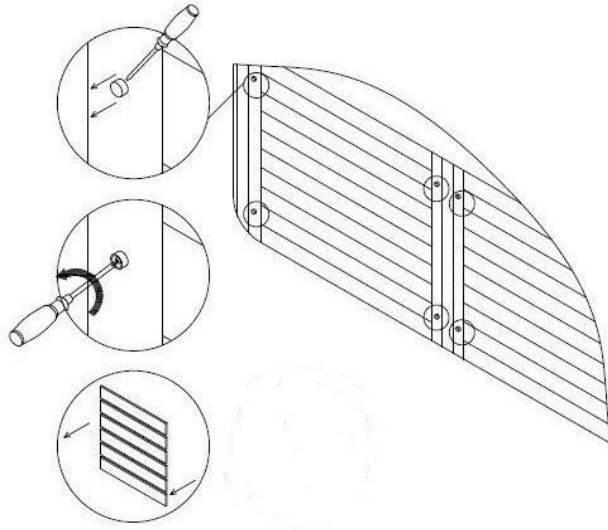
3. Question: After pressing the button light, ozone, speaker, fan or air adjust, why there is no response?

Answer: Please check if the terminal is good contact with each

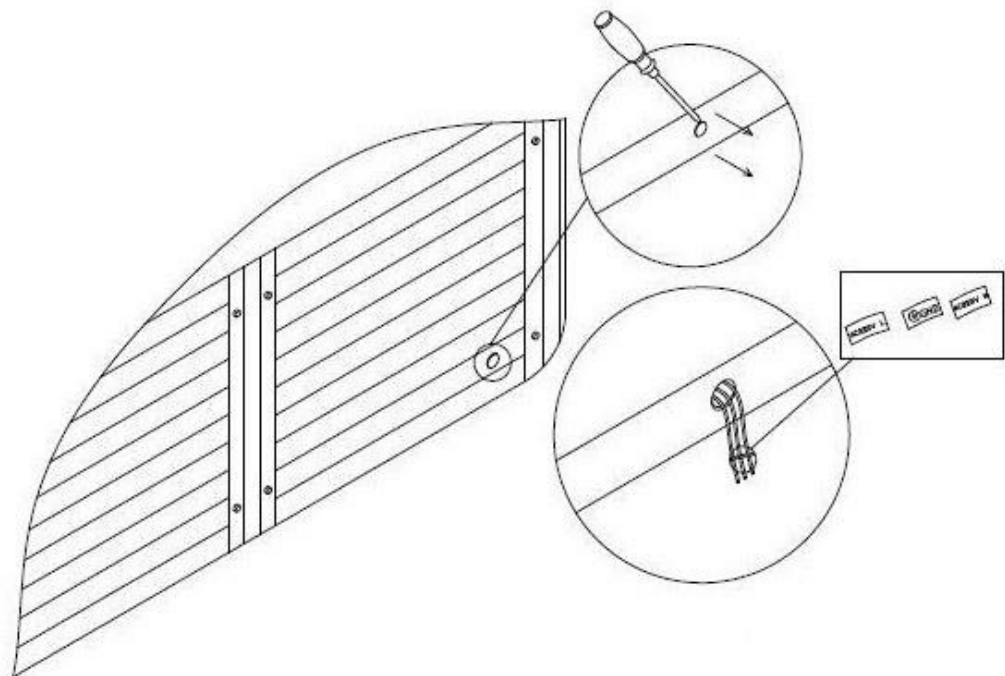
4. Operating Instructions

4.1 Power Access

1: Disassemble the skirt board, plug in the power lines



2: Put the skirt board back, and plug the correct power lines into the power supply.



4.2 Drainage Schematic

The Drain is at the bottom of the skirt, please refer to the illustrations for proper drainage:

